

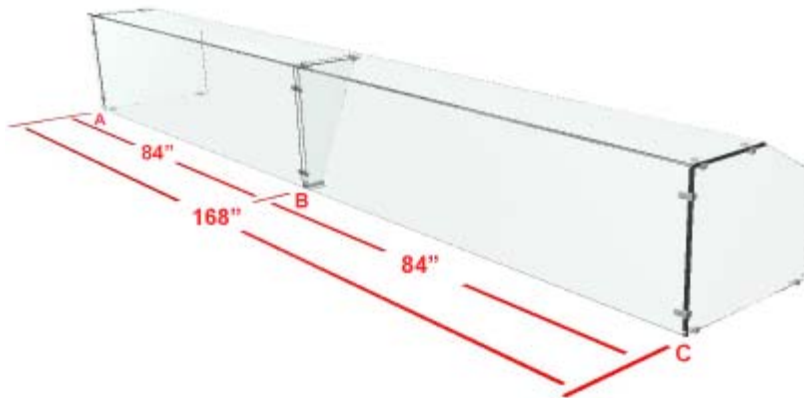


**Model:** C140

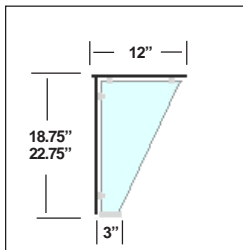
**Class:** Sneeze Guard - Full Service

Model C140 is part of the Crystalline Series which featuring the all glass look. This Full Service pass-over sneeze guard is characterized by the streight up front shield and top shelf. These sneeze guards allow a maxium bay size of 84" eliminating the need for middle support post when spanning most steam or prep tables. Multiple bays units have a continious smooth front shield and top shelf. The C140 can connect to the C100 partition system to build a contionous survice line using a common support.

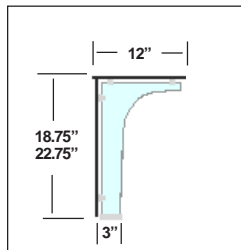
- Crystal Clear 1/2" Safety Tempered Glass Supports
- Two Standard Heights 18-3/4" and 22-3/4"
- Three Standard Depths, 12", 18", and 22"
- Large bay length (up to 84" between supports)
- Optional Internal Shelves
- Five standard Support Styles



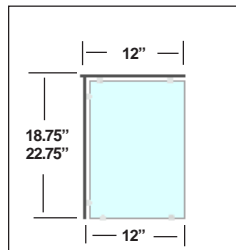
### Support Options:



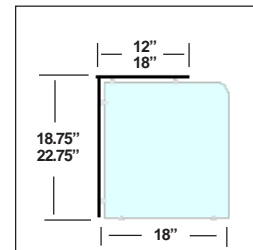
Open



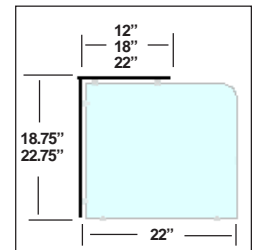
Sculptured



Closed  
12" Depth



Deep  
18" Depth



Extended  
22" Depth

### Options & Accessories:

#### Glass Options (shield & Shelf)

- Frosted
- Frosted Logo
- Crystal Clear Glass
- Radius Corners
- Internal Shelf (11", 17", 21")

#### Mounting Options

- Slim Legs
- Tab Feet

#### Metal Finish

- Chrome
- Powder Coat Color  
RAL # \_\_\_\_\_
- Other

#### Accessories

- Heat Strips
- LED Lights



The "Deep" or "Extended" supports are required as end support on NSF certified sneeze guards. The "Open", "Closed", and "Sculptured" post can be used internal support in multi-bay configurations.

